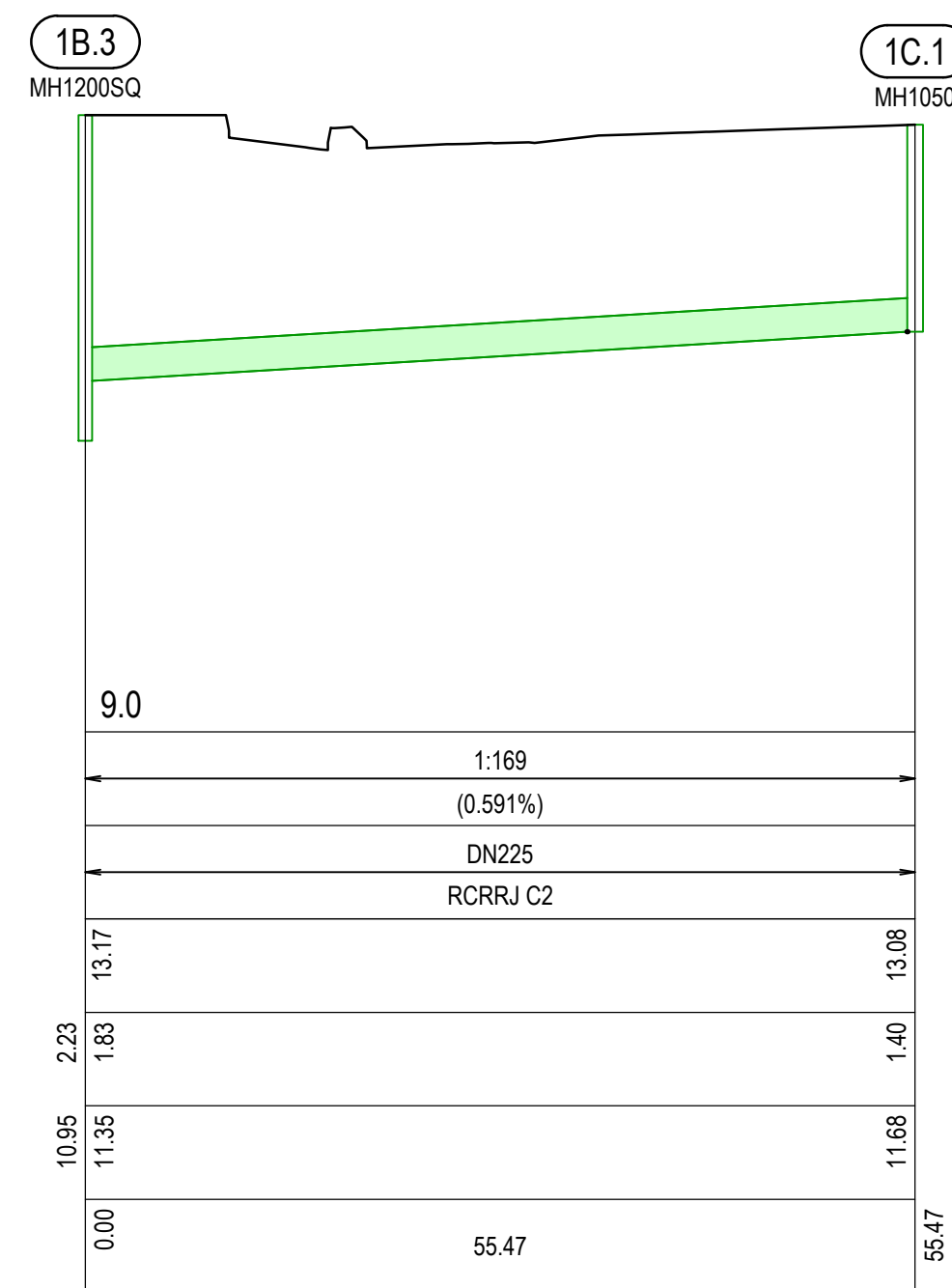


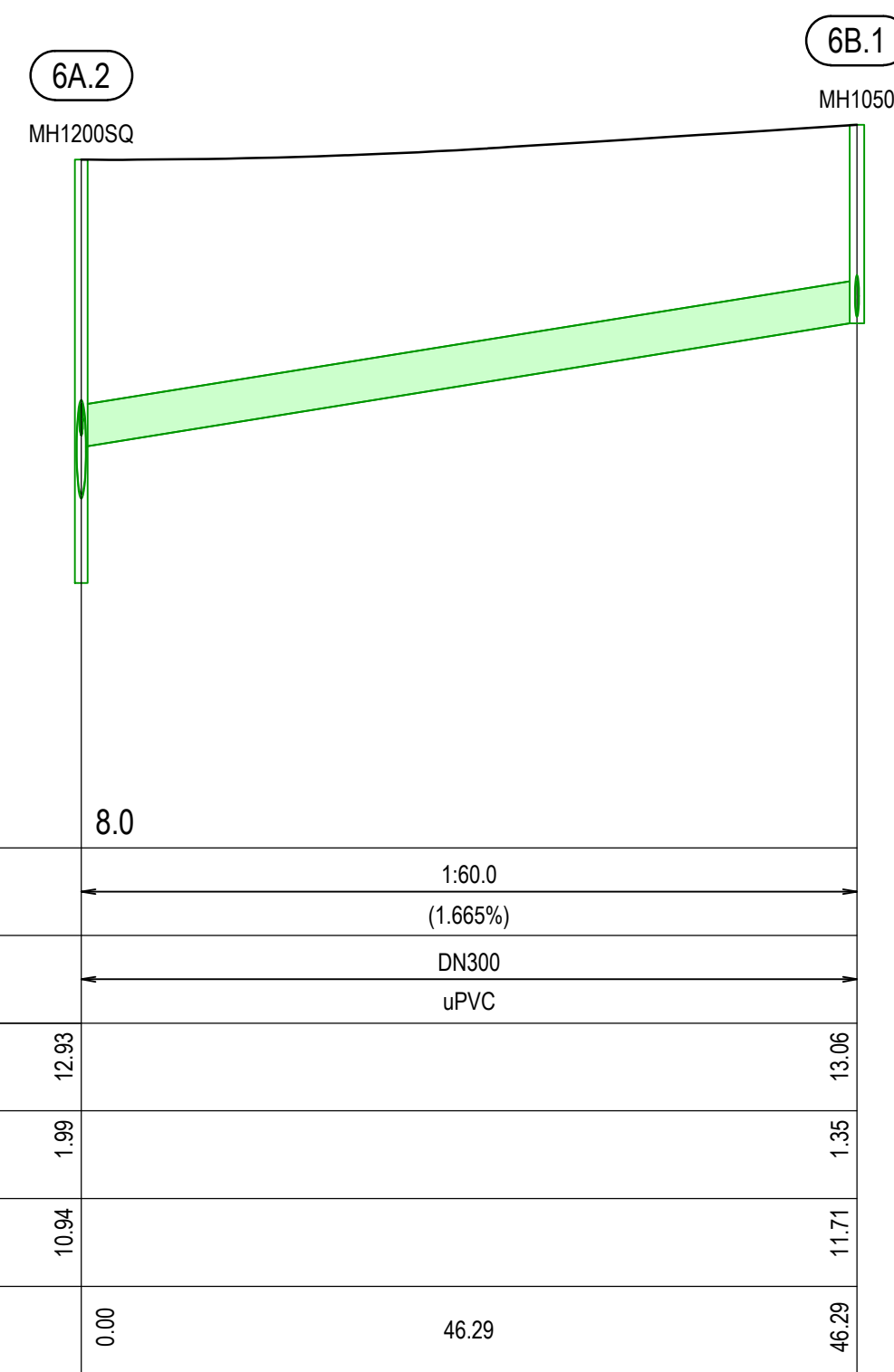
DATUM R.L.	9.0		
PIPE GRADE (1:X)	1-136 (-0.733%)	1:26 (3.868%)	1:480 (0.208%)
PIPE DIAMETER(mm) / TYPE	DN600 RCRRJ C2		DN600 RCRRJ C2
LID LEVEL	12.91	13.17	13.17
DEPTH TO INVERT	2.72 2.66	2.23 2.15	
ASBUILT INVERT	10.24 10.19 10.25	10.95 11.03	11.14
PIPE CHAINAGE	0.00 7.64 7.64	18.12 25.76	55.65 81.40

PIPELINE - 1B
HORIZONTAL 1:500
VERTICAL 1:50



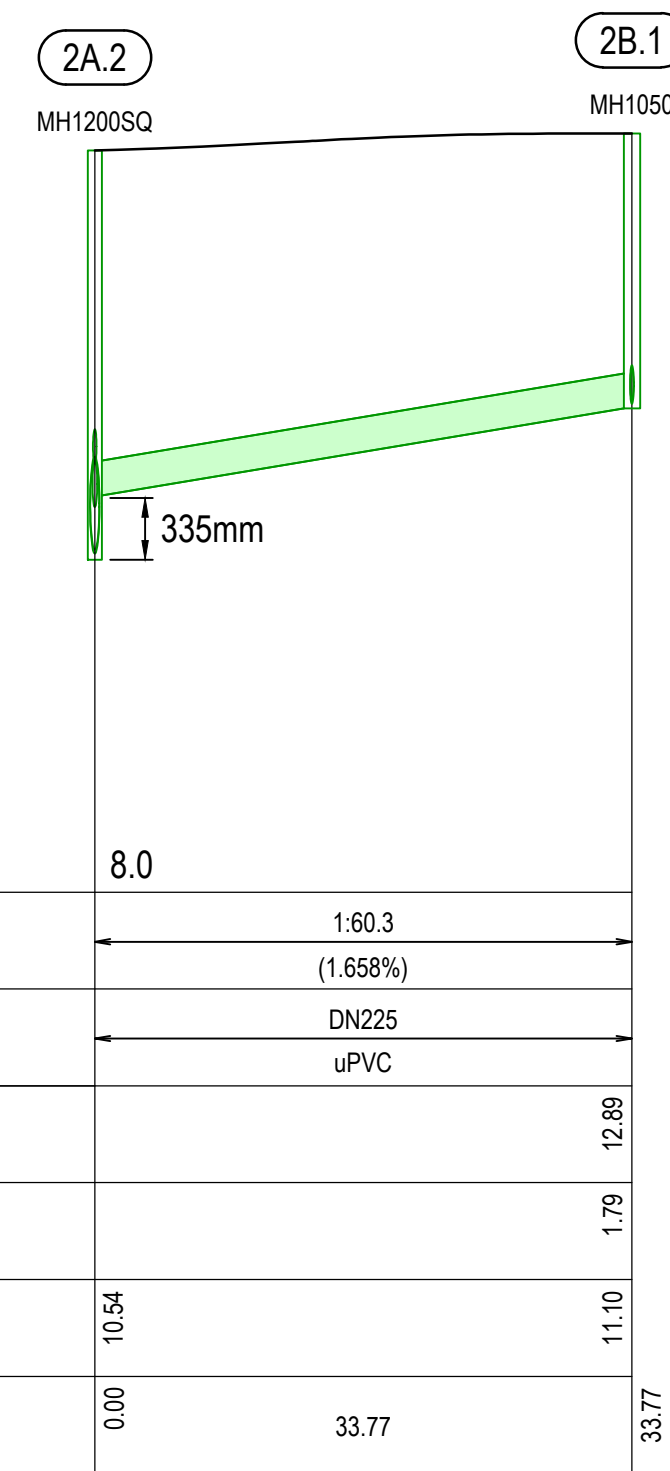
DATUM R.L.	9.0	
PIPE GRADE (1:X)	1:169 (0.591%)	
PIPE DIAMETER(mm) / TYPE	DN225 RCRRJ C2	
LID LEVEL	13.17	13.08
DEPTH TO INVERT	10.95 11.35	1.40 11.68
ASBUILT INVERT	10.95 11.35	11.68
PIPE CHAINAGE	0.00	55.47 55.47

PIPELINE - 1C
HORIZONTAL 1:500
VERTICAL 1:50



DATUM R.L.	8.0	
PIPE GRADE (1:X)	1:60.0 (1.665%)	
PIPE DIAMETER(mm) / TYPE	DN300 uPVC	
LID LEVEL	12.93	13.06
DEPTH TO INVERT	1.99	1.35
ASBUILT INVERT	10.94	11.71
PIPE CHAINAGE	0.00	46.29 46.29

PIPELINE - 6B
HORIZONTAL 1:500
VERTICAL 1:50

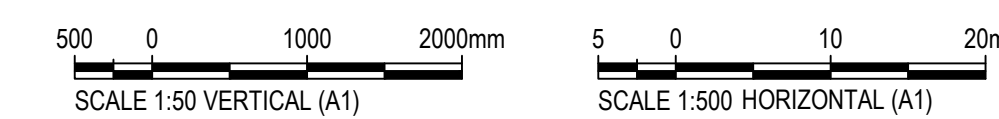


DATUM R.L.	8.0	
PIPE GRADE (1:X)	1:60.3 (1.658%)	
PIPE DIAMETER(mm) / TYPE	DN225 uPVC	
LID LEVEL	12.89	12.89
DEPTH TO INVERT	10.54	1.79
ASBUILT INVERT	10.54	11.10
PIPE CHAINAGE	0.00	33.77 33.77

PIPELINE - 2B
HORIZONTAL 1:500
VERTICAL 1:50

- LEGEND:**
- FINISHED SURFACE LEVEL
 - STORMWATER PIPE
 - STORMWATER MANHOLE

This AS BUILT drawing has been prepared based on information provided by the contractor.



REV	DATE	REVISION DETAILS	APPROVED
1	08/08/15	AS BUILT	K.ASHBY

DRAWN	DESIGNED
M.PEPERE	I.DUNCAN
CHECKED S.HUSBAND	
APPROVED	
DATE 08/08/15	
K.ASHBY	K.ASHBY

PROJECT
PRESTONS SOUTH
TITLE
PRESTONS SOUTH - STAGE 1 STORMWATER AS BUILT LONGSECTIONS SHEET 3 OF 6

AS BUILT
PROJECT No. 235361
SCALE AS SHOWN
DRAWING No. AB-PS-S1-SL-03
SIZE A1
REV 1